



File was found and ready to download!

UPDATED 14 HOUES AGO

Fastest Source: [usenet.nl](#)

Click the **download button** and select one of the found **cloud sources**.

6.4



2865 VIEWS

Download

SECURE SCANNED

You need to [log in](#) before you can post comments.



Navigation

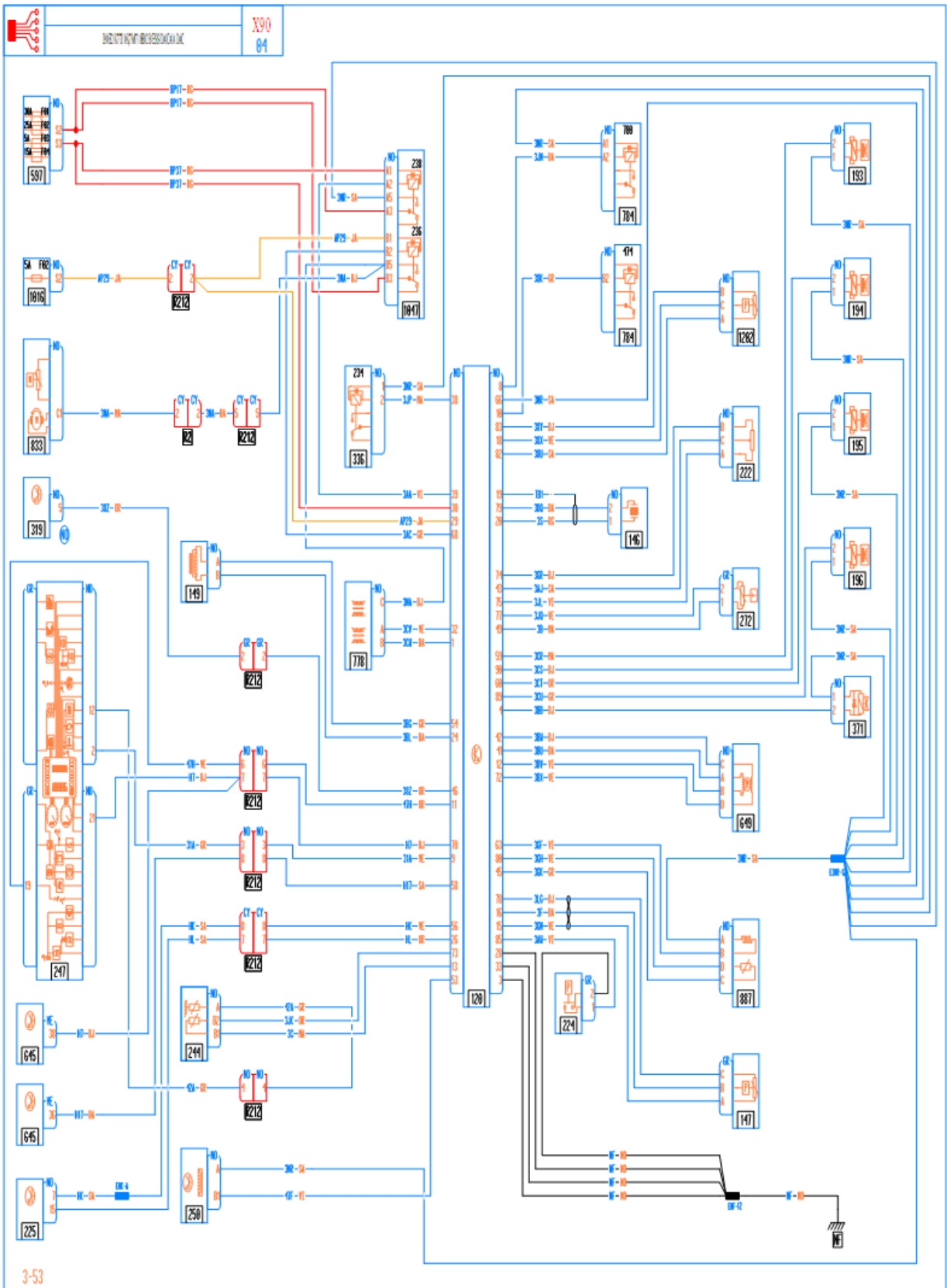


Registration



FAQ

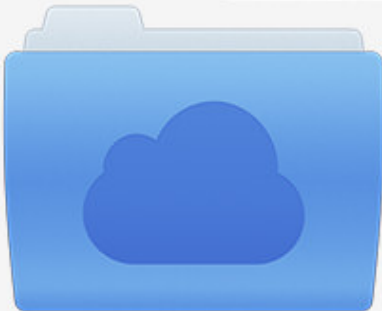
[Schema Electrica Dacia Supernova](#)



3-53

---

[Schema Electrica Dacia Supernova](#)



File was found and ready to download!

UPDATED 14 HOUES AGO

Fastest Source: [usenet.nl](#)

Click the **download button** and select one of the found **cloud sources**.

6.4



2865 VIEWS

Download 

 SECURE SCANNED

You need to [log in](#) before you can post comments.



Navigation



Registration



FAQ

---

Home · Documents; Dacia SuperNova - Schema Electrica. Dacia SuperNova - Schema Electrica. DownloadReport. Published on 27-Nov-2015. View 617.. dacia supernova - schema electrica. Report. Post on 27-Nov-2015. 619 Views. Category: Documents. 178 Downloads. Download. Download Dacia SuperNova .... M-ar ajuta mult o schema electrica ca sa nu pierd prea mult timpul... pe vremea asta nu e ... Dacia SuperNova decembrie 2002 - SB 05 TUN.. 109Disponere componente electrice pe automobil . ... consultând baza de date a producătorului DACIA, apelândtelefonice Serviciul “Vocea .... Schema Electrica Dacia Supernova ->>> http://bit.ly/2Ez1mhi schema electrica dacia supernova schema instalatie electrica dacia .... Ai căutat esapament dacia supernova. La eMAG, ești liber să alegi din milioane de produse și branduri de top la prețuri avantajoase ★.. XVI Acte.. manual intretinere dacia supernova - manual reparatii dacia supernova jan 12, 2009 . supernova . schema electrica dacia 1307 .... Dacia is Renault's automotive division in Romania, since 1998 it is part of the Renault concern as a subsidiary, ... 2004 Dacia SuperNova Repair Manual PDF.. Dacia SuperNova - Manual Service Vol - Free ebook download as PDF File (.pdf) or read book online for free.. Dacia SuperNova - Schema Electrica - Free download as PDF File (.pdf), Text File (.txt) or read online for free. schema electrica.

... mufe ,(ce face fiecare) de adaptari ma ocup eu si eventual o schema electrica sa vad eu unde duce fiecare fir. ... Dacia Supernova 2002 - AG.. Prezentare a montajului de releu la faruri. Avantajul este că blocul optic (întrerupătorul de unde pornești .... Manual service reparatii dacia papuc benzina c3l. Dacia supernova schema electrica document. 1966 chevy cd shop manual chevelle el camino ii nova corvette .... Motoras corp clapeta Logan Trimmer. Motoras pas cu pas sau relanti pentru Logan 1.4 MPI, Solenza 1.4 si Supernova 1.4 MPI. 42 Lei. Adauga in cos .... Schema Electrica Dacia Supernova >> http://ssurll.com/10sc2s e3a380481f Manual de utilizare, intretinere si reparatii dacia solenza, dacia .... Dacia SuperNova - Schema Electrica. Report. Post on 27-Nov-2015. 593 Views. Category: Documents. 172 Downloads. Download. Download Dacia .... schema electrica. Recommended. Supernova NeutrinosDocuments · KM Contracte-20170809135121 - de auto utilaje... · Dacia Logan Dacia .... Imi trebuie o schema electrica pentru inchiderea centralizata pentru Dacia Supornova. Modulul; respectiv are si alarma si asa a fost echipata .... DACIA LOGAN SCHEMA ELECTRICA PDF DOWNLOAD DACIA LOGAN ... 2004 Dacia SuperNova Repair Manual PDF Dacia Logan Sedan Service Manual.. Dacia 1310 schema electrica - oferte. ... Cap bara Breckner pentru Dacia 1310 1410 1600 Model nou reglabila si Dacia Nova SuperNova Solenza P Vânzător ...

f99c0e132e

[joel watson strategy solution zip](#)

[Adobe InDesign CC 2018 Multilanguage \(64 bit-crack\) download pc](#)

[EASEUS Data Recovery Wizard WinPE Edition 6.0 Retail full version](#)

[canon lide 110 driver cd download](#)

[minecraft porn texture pack full pack.zipgolkes](#)

[Modern Abc Biology Class 12 Pdf Free](#)

[Ff tisa sans free download](#)

[Download Sewercad V8i With Crack Windows 7 64 Bit](#)

[vst plugin waveshell-vst 7.1 downloadbfcdm](#)

[Anton Kreil Professional FOREX Trading Masterclass](#)